

Automotive Relays **FLS849**

L×W×H(mm): 46×46×45(+18)



Features:

- Miniature;
- Contact load capacity up to 200A;
- Suitable for automobile;
- Quick connection for coil;
- Bolt type terminal for contact load.

Ordering Information

FLS849	-12	-A	-200	-4.8
1	2	3	4	5
<p>1. Part number : FLS849;</p> <p>2. Coil rated Voltage(VDC): 6: 6V; 12: 12V; 24: 24V</p> <p>3. Contact Form : A:1A;</p> <p>4. Max. Switching Current: 200A</p> <p>5. Coil Rate: 4.8W:Intermittent work; 2.4W: Continuous work</p>				

Contact Data

Contact Form	1A (SPSTNO)
Contact Material	Ag Alloy
Contact Rating (resistive)	200A/14VDC
Max. Switching Voltage	40VDC
Max. Switching Current	200A
Max. Switching Power	1400W, 2800W
Contact Resistance or Voltage drop	≤100mΩ
Electrical Life	1×10 ⁵
Mechanical Life	1×10 ⁷

Coil Parameter

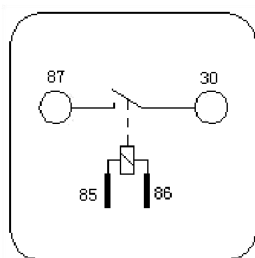
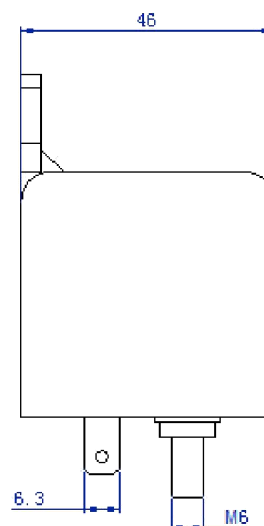
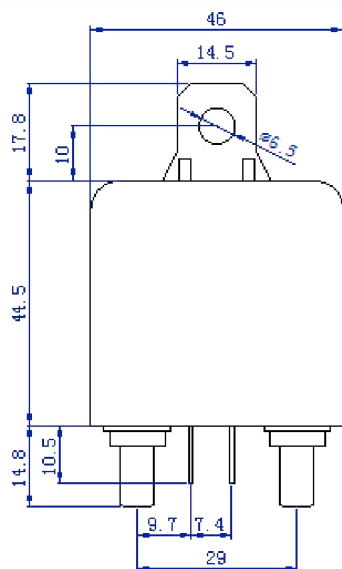
Dash numbers	Coil voltage (VDC)		Coil resistance Ω±10%	Pickup voltage VDC(Max.)	Release voltage VDC(Min.)	Coil power	Operate Time	Release Time
	Rated	Max.						
A	6	7.8	7.5	3.9	0.6	4.8W	≤10 ms	≤5 ms
	6	7.8	15	3.9	0.6	2.4W		
	12	15.6	30	7.8	1.2	4.8W		
	12	15.6	60	7.8	1.2	2.4W		
B	24	31.2	120	15.6	2.4	4.8W		
C	24	31.2	240	15.6	2.4	2.4W		

Operation condition

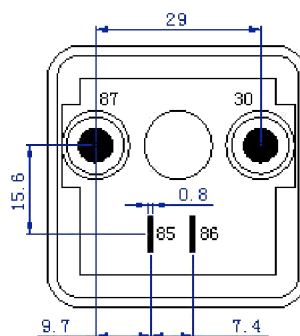
Insulation Resistance	100MΩ Min. (at 500VDC)	
Dielectric Strength	Between Contacts	50Hz 500VAC / 1 minute
	Between Coil and Contacts	50Hz 750VAC / 1 minute
Shock resistance	147m/s ² 11ms	
Vibration resistance	10~40Hz double amplitude 1.5mm	
Terminals strength	100N	
Solderability	235°C±2°C 3±0.5s	
Ambient Temperature	-40°C ~ +85°C	
Relative Humidity	85% (at 40°C)	
Weight (Approx.)	90g	

Layout (Bottom views, Unit: mm)

Dimensions / Wiring diagram (Bottom views)



Wiring diagram (Bottom views)



Terminal Layout (Bottom views)